

REGINA CARTER QUARTET RIDER

2015-2016

E13. **(FOR INTERNATIONAL EVENTS ONLY)** If the contract stipulates payments or deposits are to be made by bank wire, please use the following contact information for current wire info:

International Music Network
Attn: Contract Administrator
278 Main Street
Gloucester, MA 01930
Tel: +1 (978) 283-2883
Fax: +1 (978) 283-2894
Email: contracts@imnworld.com

This Agreement shall be effective only when signed by PURCHASER and returned to ARTIST's booking agency. All attachments and addendums are considered a part of this contract and are binding.

AGREED AND ACCEPTED:

PURCHASER

ARTIST

DATE

DATE

REGINA CARTER QUARTET RIDER

2015-2016

TECHNICAL RIDER

THIS RIDER SHALL BE ATTACHED TO, AND BECOME AN INTEGRAL PART OF, THE CONTRACT DATED _____ BY AND BETWEEN INTERNATIONAL MUSIC NETWORK O/B/O REGINA VIOLIN, LLC F/S/O REGINA CARTER, HEREINAFTER CALLED "ARTIST" AND _____ HEREINAFTER CALLED "PURCHASER" FOR THE PERFORMANCES ON _____ **IN THE EVENT OF ANY INCONSISTENCY BETWEEN THE PROVISIONS OF THIS RIDER AND THOSE CONTAINED IN THE PRINTED CONTRACT TO WHICH THIS RIDER IS ANNEXED, THE PROVISIONS OF THIS RIDER SHALL GOVERN AND CONTROL.**

PLEASE READ THIS RIDER CAREFULLY - By signing it, you are agreeing to supply certain equipment and working conditions which are essential to Artists performance.

PURCHASER agrees to provide the following at his/her own expense:

1. **PURCHASER** shall provide International Music Network with a complete specification packet for the performance hall, at least ninety (90) days prior to the performance.

2. **STAGE, LIGHTING, SOUND, BACKLINE**

PURCHASER agrees to provide the following at his/her own expense:

A. A stage for performance which is a minimum of twenty (20) feet deep from down stage edge to upstage wall, and a minimum of twenty-five (25) feet wide from stage right (not including wings in the instance of a proscenium theater). The stage must be flat, not raked, and must be both smooth and stable. For outdoor performances, the stage (including all instruments and equipment) must be completely covered by a suitable and stable roof with wings in order to protect ARTIST and equipment from the elements to ARTIST's satisfaction.

B. A professional sound augmentation system, capable of providing clear, undistorted evenly distributed sound throughout the audience area; microphones and monitors per attached stage plot; and a professional audio engineer to operate said system for the full sound check and performance. Once ARTIST has sound checked, equipment and levels cannot be changed or re-arranged prior to the performance. ARTIST representative will work in conjunction with the house sound engineer and have final approval of house sound levels.

C. All lighting, sound and stage preparations must be completed prior to ARTIST arrival at the performance venue and must be completed not less than four (4) hours prior to doors opening time. Sound check will take a minimum of one (1) hour and will normally take place one (1) to two (2) hours prior to doors opening.

D. A separate sound system for stage monitoring for venues with capacities of five hundred (500) persons or more, with a professional audio engineer to operate monitors separate from the front-of-house mixing position. A total of four (4) floor monitors and four (4) separate monitor mixes are required.

E. An adequate professional stage lighting system with a standard assortment of gels and an operator.

BACKLINE REQUIREMENTS: Number of instrumentalists and instrumentation subject to change.

F. **VIOLIN REQUIREMENTS:**

- Two (2) microphones – one (1) overhead* for violin and, one (1) for announcing**
- *One (1) of the following mics on a tall boom stand for Ms. Carter – Neumann KM184, Audio Technica AT 4041 or AKG C414.
- **One (1) SM58 on a straight stand
- One (1) transformer (any engagements outside the U.S.)

REGINA CARTER QUARTET RIDER

2015-2016

G. PIANO REQUIREMENTS -- Xavier Davis or Gary Versace

- Acoustic 9' Concert Grand Piano (Steinway preferred) tuned to A (440/442) prior to sound check and performance
- Padded / adjustable concert piano bench

H. BASS REQUIREMENTS -- Jesse Murphy or Chris Lightcap

(please consult as to which bassist will be performing on your engagement)

- One (1) 3/4 or 7/8 size hardwood, pro-grade upright, acoustic bass w/adjustable bridge
- One (1) German bow & Thomastic Weich or D'Addario hybrid strings
- One (1) David Gage realist pickup or Fishman Full Circle pickup (built into the adjuster)
- One (1) ATM 35 clip-on microphone (requires phantom power)
- One (1) Ampeg Heritage B-15 bass amp
- One (1) tall stool

J. DRUM REQUIREMENTS -- Alvester Garnett

One professional Jazz Drum Kit. Mr. Garnett is endorsed by **D'Amico** drums and prefers to play these drums exclusively. In the event that a **D'Amico** kit is not available, the following brands are acceptable options. In order of preference they are: Gretsch, Yamaha, Pearl, Sonor, Ayotte, or DW.

DRUM KIT: Seven (7) pieces with no muffling & five (5) stands

- **One (1) 14 x 18 inch (or 15 x 20) Bass Drum** (no holes in bass drum heads and no muffling placed inside drum, NO Yamaha-style bass drum riser – the bass drum should have only two standard legs, NO 3rd riser foot)
- **One (1) 8 x 10 inch mounted tom** (preferably mounted on Bass drum rather than on a stand)
- **One (1) 8 or 9 x 12 inch mounted tom** (preferably mounted on Bass drum rather than on a stand)
- **One (1) 14 x 14 inch floor tom** (floor standing only, not mounted on cymbal stand)
- **One (1) 16 x 16 inch floor tom** (floor standing only, not mounted on cymbal stand)
- **One (1) 5 ½ x 14 inch Snare Drum**
- **One (1) 7 x 14 inch Snare Drum** (second snare)

Note: The sizes above are depth x diameter and BOTH should be exact. 10 inch deep rock-and-roll style mounted toms are NOT acceptable.

HARDWARE

- **Five (5) individual cymbal stands, with at least three (3) being boom stands.** (EACH of the five (5) stands must have a separate base. None may be attached to one another or serve as a base for a floor tom or mounted tom.)
- **One (1) hi-hat cymbal stand with 3 legs** (no two-legged stands; medium-light weight, DW or Camco preferred)
- **Two (2) snare drum stands**
- **Two (2) bass drum pedals** (DW or Camco preferred)
- **One (1) mount for toms (if bass drum mounted) or two (2) ADDITIONAL stands (if floor stand mounted)**
- **Floor tom legs for both floor toms**
- **One (1) adjustable drum throne** (The seat post must be of the screw-thread type to allow for fine height adjustment. No seat posts with peg-holes for height adjustments. No hydraulic seats, please)

Note: All hardware should be in good working order with no screws, washers, protective sleeves or felts missing from any of the stands. Screws should be easily turned, please. None should be stripped of their threading.

REGINA CARTER QUARTET RIDER

2015-2016

DRUMHEADS

All heads need be coated or textured on the batter sides. Please note three (3) different drum head types across the kit.

- **Snare Drum heads:** Remo Skyntone or Coated Renaissance or Weatherking DIPLOMAT weight on the top side. Clear for the bottom side. Coated Ambassador is acceptable.
- **Tom heads:** Remo Skyntone or Coated Remo (brand) Weatherking or Renaissance (model) Emperor (weight) Batter (function) is preferred for the Toms' top side. Coated Weather King Ambassadors are acceptable. Clear Remo Weather King Ambassadors are preferred for the bottom side.
- **Bass Drum heads:** Coated Remo Powerstroke 4 or Weather King Emperor Bass Drum Head for the beater side. Coated Ambassador for the front facing audience side.

NO smooth (without coating / texture) heads, please. **NO** pinstripe model or other rock and roll-type drumheads. All drums should have both a bottom and top head - no concert toms or missing heads.

DRUM RUG

- One (1) 6 x 5-foot area rug to place the drum kit on while performing.

ADDITIONAL NOTES

The Drums should be set up and in position on the stage before the musicians arrive for sound check. Preferably no other musicians should use the drum kit from time of sound check to end of the performance. If this is unavoidable, an additional set of cymbal stands will be necessary to speed up changing stage set-ups. The drums should not be placed on any type of riser or structure that places the drums at a higher height than the rest of the ensemble.

If the drums are not D'Amico Drums there should be no other drum maker's company branding on the audience side bass drum head.

If there any questions that cannot be handled by management directly, please contact Mr. Garnett at +1(347) 922-1075 or at alvester@alvestergarnett.com.

K. POWER

- One (1) 120 volt V/ 60Hz 20 amp circuit for on-stage power needs

L. MUSIC STANDS

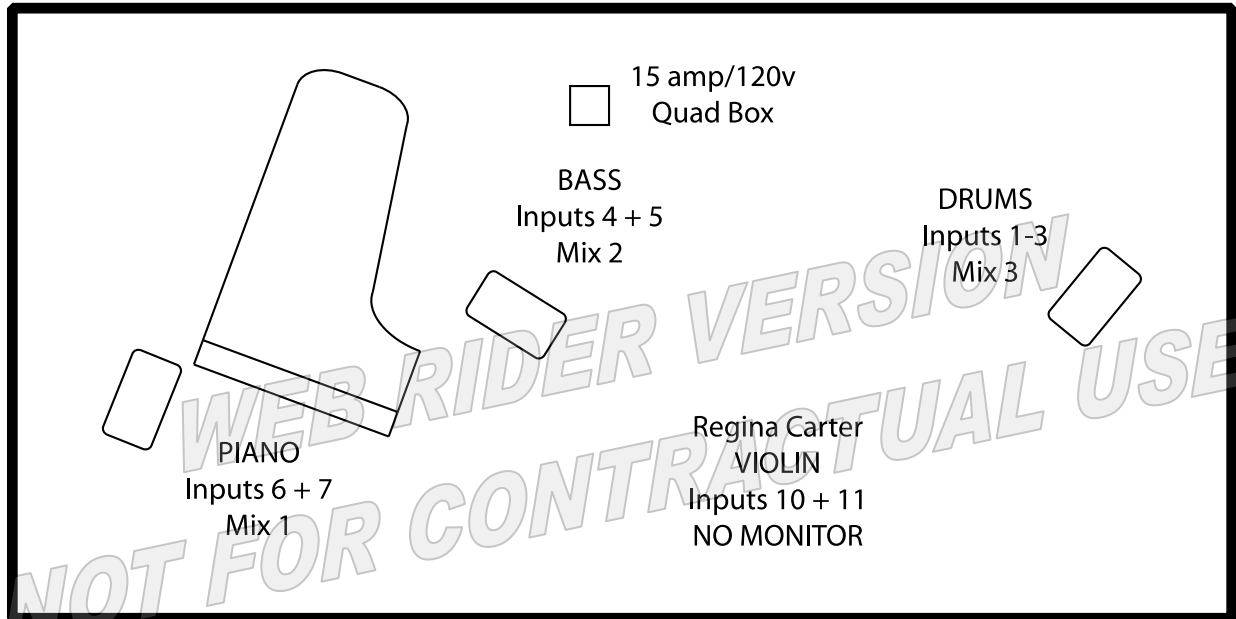
- Four (4) music stands with lights
- Wind clips are required for outdoor performances

REGINA CARTER QUARTET RIDER

2015-2016

REGINA CARTER QUARTET

STAGE PLOT



INPUT LIST

#	Source	Microphone	Stand	Notes
1.	Kick	RE-20 or D-112	Short Boom	
2.	Overhead L (Ride)	C414 or KM-184	Tall Boom	+48v
3.	Overhead R (Hat)	C414 or KM-184	Tall Boom	+48v
4.	Bass Mic	DPA 4099 or ATM-35	(clip on)	+48v
5.	Bass DI	Countryman 85		+48v
6.	Piano Left	C414 or KM-184	Tall Boom	+48v
7.	Piano Right	C414 or KM-184	Tall Boom	+48v
8.	Violin	one of the following AT4041, KM-184 or C414 (cardioid w/ 75Hz low cut)	Tall Boom	+48v
9.	Announce	SM-58	Straight Stand	

-Please provide ONE (1) tall stool (with cushion) for bass player

-Please provide FOUR (4) Manhasset music stands with working lights and associated cabling.

-Please provide FOUR (4) towels and bottles of room temperature SPRING (not purified) water.

-Ms. Carter DOES NOT need a monitor. All other musicians need ONE (1) monitor with it s own dedicated pre-fader mix

-Ms. Carter kindly requests that NO reverb be used in the FOH or Monitor Mixes

REGINA CARTER QUARTET RIDER

2015-2016

FOR ANY PUBLICITY NEEDS (I.E. HI-RES PHOTOS, BIOS, PRESS QUOTES) VISIT WWW.IMNWORLD.COM/REGINACARTER

Should PURCHASER have any questions concerning any provisions of this rider, please contact Chris Hinderaker, 917-455-6615, reginacartertour@gmail.com.

LOCAL TECHNICAL DIRECTOR _____

HOME PHONE : _____ BACKSTAGE PHONE: _____

MOBILE PHONE: _____ OFFICE PHONE: _____

AGREED AND ACCEPTED:

PURCHASER

ARTIST

DATE

DATE

RIDER EFFECTIVE March 2015

WEB RIDER VERSION
NOT FOR CONTRACTUAL USE